

Facility Monitoring Particle Counter [FMPC] **KR-02A, 02B, 02C**

Ultra compact size ideal for facility multi-point monitoring



*This product does not include a vacuum source, power supply, or display.
It must be used in conjunction with suitable external devices.*

Compact -- Lightweight -- Inexpensive -- Versatile Options -- Outstanding Software

- Easy configuration of multi-point monitoring system
- Ultra compact, low-priced facility monitoring particle counter <FMPC>
- Suitable for clean-room multi-point monitoring, processing equipment monitoring, and other dust particle monitoring applications
- Two sensitivity settings: 0.3 and 0.5 μm . Flow rate 2.83 L/minute
- Available software includes LMS <KR-02A/02B>, KF-02A <KR-02C>, RP Monitor <KR-02A/02C>

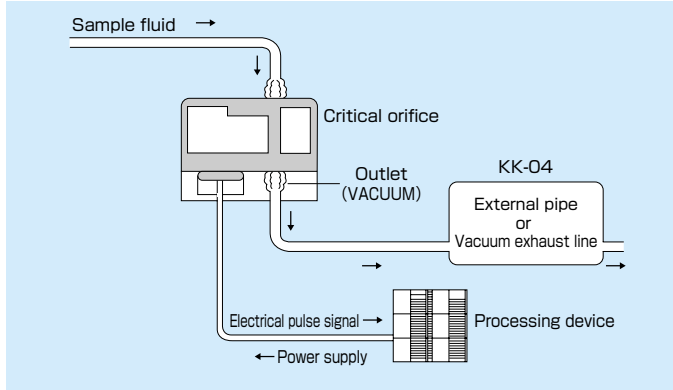




For remote monitoring in environments where air purity is highly critical

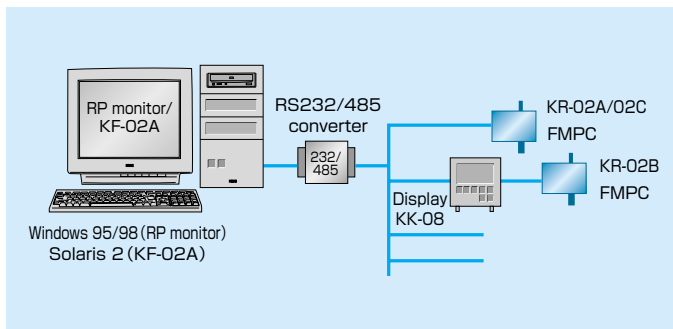
Facility Monitoring Particle Counter [FMPC] KR-02A, 02B, 02C

FMPC KR-02B connection example



The unit requires external vacuum source, power supply and display.

RP Monitor and KF-02A system example

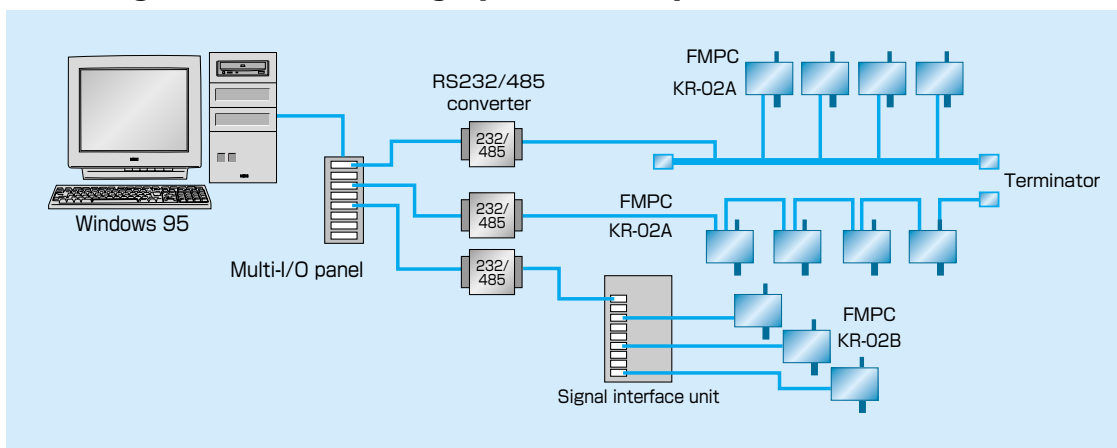


Specifications

Light source:	Laser Diode (maximum output 50 mW, wavelength 780 nm)
MTBF:	> 36 000 hours (at 25°C)
Light detector:	PIN Photodiode
Allowable sample:	Air and inert gas
Flow rate:	2.83 L/min
Sample flow control:	Via critical orifice connected vacuum source with min. -60 kPa (gauge pressure)
Minimum measurable particle size:	0.3 μm (for particles with refractive index 1.6)
Particle size measurement ranges:	2 channels
	Channel 1: ≥ 0.3 μm
	Channel 2: ≥ 0.5 μm
Zero Count:	≤ one count/five minutes
Maximum particle concentration:	70000 particles/L (coincidence loss 5%)
Tube connectors:	
Inlet:	Outer diameter 1/8 inch (approx. 3.18 mm)
Outlet:	Outer diameter 1/4 inch (approx. 6.35 mm)
Interface	*KR-02A: RS-485
	KR-02B: Balanced pulse signal
	KR-02C: RION Interface for multi-point system
Connector:	RJ-45
Power requirements:	9 - 28 VDC, 2.4 VA
Ambient condition for operation:	10 to 40°C, 20 to 95% R.H. (no condensation)
Dimensions:	107(W) × 52 (H) × 42 (D) mm (without protruding parts)
Weight:	Approx. 340 g

* Do not connect KR-02A with RION's KA-series and/or KS-series on the same line. If it is connected, failure will occur in the network.

LMS large-scale monitoring system example



Specifications subject to change without notice.

ARTI is the brand name of another line of products handled by RION.



20-41, Higashimotomachi 3-chome, Kokubunji, Tokyo 185-8533, Japan
Telephone: +81-42-359-7878 Fax: +81-42-359-7458
URL : <http://www.rion.co.jp> E-mail: info@rion.co.jp

Distributed by: