



Particle Sensor for Multi-point Monitoring Applications KA-03

Suitable for constant monitoring systems and automatic operation systems

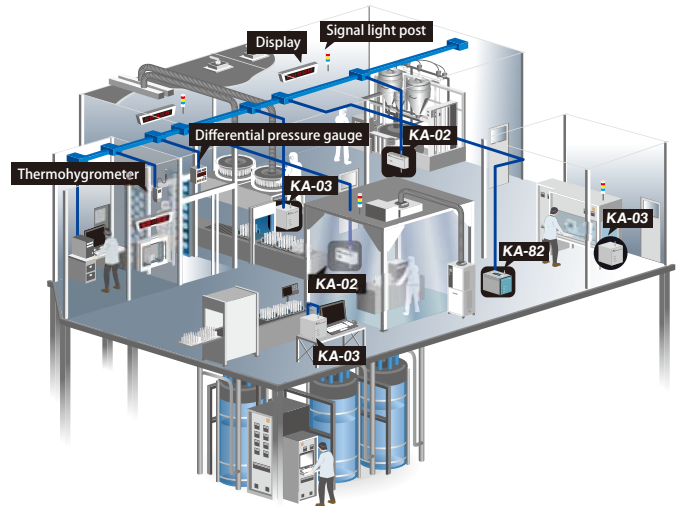


- Compliant with ISO 21501-4 (JIS B 9921)
- Five particle size channels: $\geq 0.3 \mu\text{m}$, $\geq 0.5 \mu\text{m}$, $\geq 1.0 \mu\text{m}$, $\geq 2.0 \mu\text{m}$, $\geq 5.0 \mu\text{m}$
- Compact integrated design comprising sensor and pump
- Stainless steel chassis for improved resistance against chemicals
- Compatible with multi-point type monitoring systems
(RP Monitor EVO K0505 Ver.3, Multi-Point Monitoring System Software KF-03)

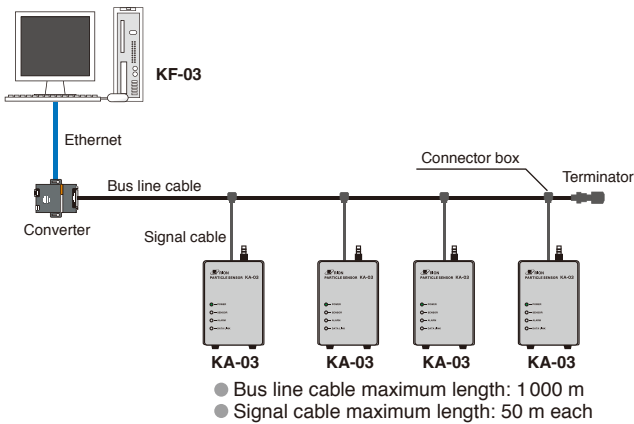
Specifications

Optical system	Light scattering method
Light source	Laser diode (wavelength 780 nm, rated output 35 mW)
Laser product class	Class 1, IEC 60825-1
Light detector	Photodiode
Flow rate	2.83 L/min
Particle size range	5 channels: $\geq 0.3 \mu\text{m}$, $\geq 0.5 \mu\text{m}$, $\geq 1.0 \mu\text{m}$, $\geq 2.0 \mu\text{m}$, $\geq 5.0 \mu\text{m}$
Maximum particle number concentration	140 000 000 particles/m ³ (coincidence loss max. 10 %)
Indicators	POWER, SENSOR, ALARM, DATALINK
Connection points	External diameter 5 mm
Input/output connectors	
RJ-45	Multi-point monitoring system
Alarm output	Max. load 20 V DC, 100 mA, open collector
Environmental conditions for operation	15 °C to 40 °C, max. 85 % RH (no condensation)
Power requirements	AC adapter (Input voltage: 100 to 240 V, 50/60 Hz)
Dimensions and weight	126 (H) x 87 (W) x 204 (D) mm (excl. protruding parts), approx. 2 kg
Supplied accessories	AC adapter, power cord, sampling tube (2 m), simple instruction manual

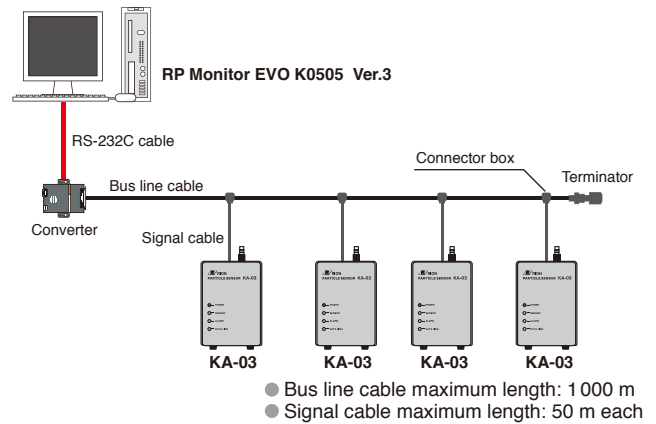
Example for multi-point monitoring sensor system configuration



Example for multi-point monitoring sensor system connection (using KF-03)

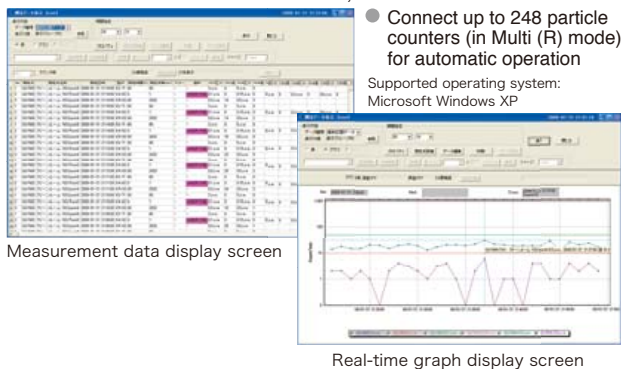


Example for multi-point monitoring sensor system connection (using RP Monitor EVO K0505 Ver.3)



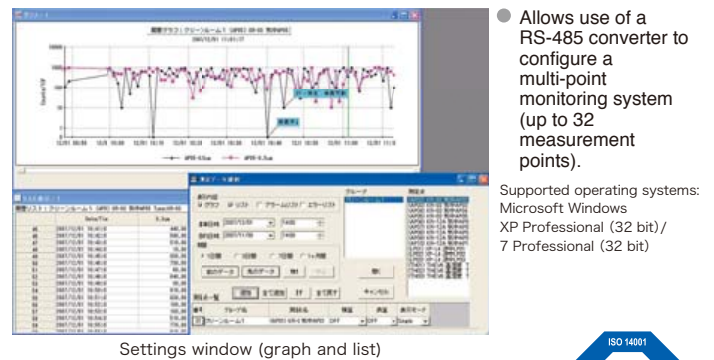
Multi-Point Monitoring System Software KF-03 Option

Centrally manage a wide range of information for an installation, such as count data from particle counters, temperature and humidity data from various environment sensors, and more.



RP Monitor EVO K0505 Ver. 3 Option

Allows automatic control of particle counters, data collection, real-time graph display, filing, and printout on a computer.



* Company names and product names mentioned in this catalog are usually trademarks or registered trademarks of their respective owners.
* Specifications subject to change without notice.

ISO 14001 RION CO., LTD.
ISO 9001 RION CO., LTD.



Distributed by:

RION CO., LTD.
<http://www.rion.co.jp/english/>

3-20-41, Higashimotomachi, Kokubunji,
Tokyo 185-8533, Japan
Tel: +81-42-359-7878, Fax: +81-42-359-7458