



Easily Configure a Measurement System for
Liquid-Borne Particle Counters

— **High-Precision Sample Flow Control** —

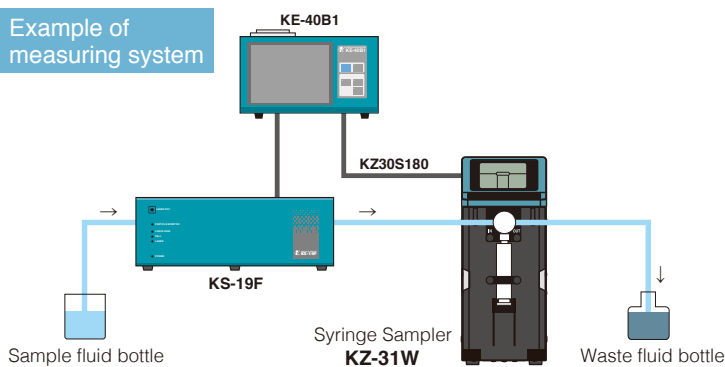
Syringe Sampler KZ-31W

- Large display allows checking current status at a glance
- Three operation modes: Purge mode, Measurement mode, Combination mode
- Application software allows management of all settings from a computer

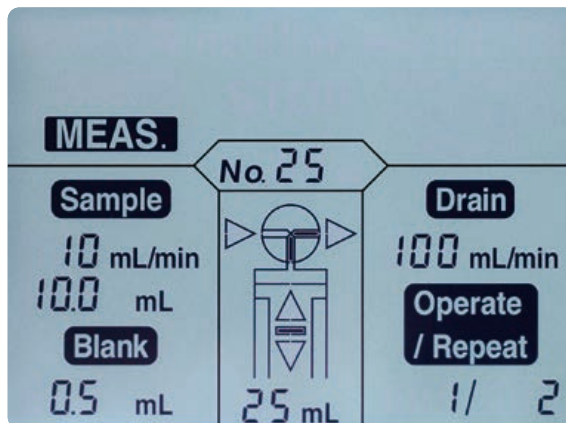
Specifications

Supported models for connection	KE-40B1, KE-40B, KE-40	
Suitable syringe sizes	25 mL PP syringe (polypropylene) [supplied] 25 mL glass syringe (Pyrex glass) [option]	
Fluid-contacting materials	PCTFE, PTFE, PFA, PP	
Suitable sample fluids	Fluids which do not cause corrosion of fluid-contacting parts	
Purge mode		
Flow rate	Setting range	5 to 100 mL/min (with liquid-borne particle counter connected)
	Resolution	1 mL/min
Capacity	Setting range	0 to 25 mL
	Resolution	0.5 mL
Repeat count setting range	1 to 99 times (with liquid-borne particle counter connected)	
Measurement mode		
Flow rate	Setting range	5 to 100 mL/min (with liquid-borne particle counter connected)
	Resolution	1 mL/min
Capacity	Setting range	0 to 25 mL
	Resolution	0.5 mL
Blank volume	Setting range	0 to 10 mL
	Resolution	0.5 mL
Repeat count setting range	1 to 99 times (with liquid-borne particle counter connected)	
Combination mode	Number of steps	2 to 10
Number of setting memory addresses		
Purge mode, Measurement mode	50 each (25/50 can only be set from application software)	
Combination mode	20 (10/20 can only be set from application software)	
External connectors	EXT CONTROL (D-sub 9-pin female)	
Display	Segment type LCD	
Ambient conditions for operation	+5 to +40 °C, 85 % RH or less (no condensation)	
Sample fluid temperature range	+5 to +40 °C	
Temperature and humidity range for storage	-10 to +50 °C, 85 % RH or less (no freezing)	
Power requirements	100 to 240 V AC ±10 % 50/60 Hz (3-pin plug), approx. 50 VA	
Dimensions and weight	Approx. 345 (H) x 141 (W) x 215 (D) mm, approx. 5.5 kg	
Supplied accessories	PFA tube (with connector) x 2 25 mL PP syringe set (polypropylene, for replacement) AC power cord	
Options		
	Connection cable C KZ-30S180 (for connection to KE-40B1/KE-40B/KE-40) 25 mL syringe set (PP: NW25PP20, Glass: KZ30WS20) PFA tube (flared tip, with connector) KZ31S120 Connection cable for application software* KZ31S110 *Software can be downloaded from the Rion web site	
Additional modification for purge air supply	Includes mounting of one-touch joint for 6 mm dia. tube, to supply purge air and prevent inflow of corrosive gases into the enclosure	

Example of measuring system



Display screen example (Measurement mode)



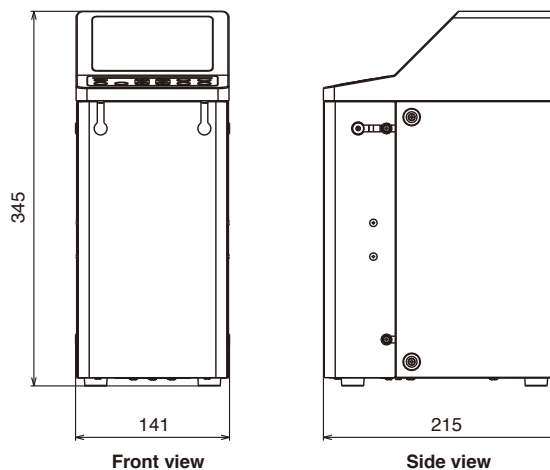
Controller KE-40B1



For particle sensor operation control and measurement data display
Allows free setting of particle size groups in up to 10 channels

Dimensional Drawing

(Unit: mm)



* Company names and product names mentioned in this catalog are usually trademarks or registered trademarks of their respective owners.
* Specifications subject to change without notice.



ISO 14001 RION CO., LTD.
ISO 9001 RION CO., LTD.

Distributed by:

RION CO., LTD.
<https://www.rion.co.jp/english/>

3-20-41, Higashimotomachi, Kokubunji,
Tokyo 185-8533, Japan
Tel: +81-423-59-7878, Fax: +81-423-59-7458