

Sensor Controller **KZ-70**

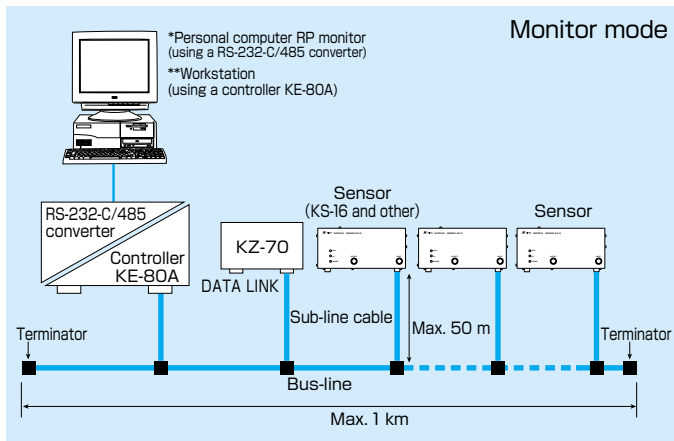
On-site monitor for multi-point monitoring system



- Particle Counter Controller
- Monitor on the spot
- 3 Controller Modes: Manual, Auto and Repeat
- Particle Size Distribution: Max. 6 Channels
- Max. 300 m (Extension) of Sub-line cable available in Controller Mode
- Max. 1000 m (Extension) of Bus-line cable available in Monitor Mode

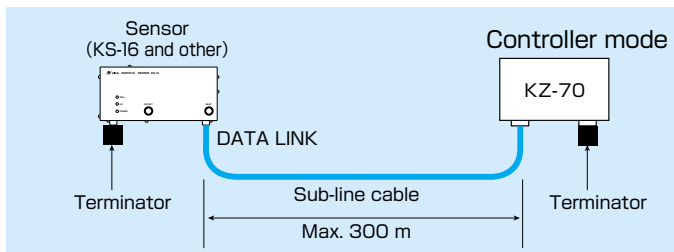


System configuration



* Multi-point monitoring system software for personal computer, RP monitor, can drive sensors via RS-232-C/485 converter.

** Multi-point monitoring system software for workstation, KF-02A, can drive sensors via controller KE-80A.



Note: KZ-70 can control only one sensor in control mode.

Specifications

Available Sensor:	KS-93, KS-16, KS-16F, KS-17, KA-80B, KA-81
Modes:	Monitor Mode Controller Mode (Manual, Auto, Repeat)
Display Items:	Date/Time, Information of sensor (Node address, Model, Flow rate, updated condition of sensor), Measurement data (Sample volume, Error info, Particle size, Count) Last measurement data (Count, Volume, Error info)
Particle size distribution:	Max.6 channels
Ambient conditions for operation:	10 to 40 °C, less than 85 % RH (no condensation)
Dimensions:	170 (W) × 201 (D) × 60 (H) mm, Approx. 1.3 kg
Supplied accessories:	AC-adaptor KE-28-130 × 1 Terminator × 2

Specifications subject to change without notice.

Example of controller display

NODE 1		1997 01/01 08:30	
SENSOR	MODEL : KA-81	FLOW : 1.00L/MIN	STATUS : NORMAL
MEAS. MODE	AUTO 60sec REPEAT 10sec		
DATA	VOLUME : 1.00L CHANNEL : 0.1UM		
LAST DATA	1234567890		
	Ver 1.0		
0	0	0	0
COUNT	MEASURE	MEASURABLE	DATA LINK

Particle sensor KS-17

In-line sensor

Counts ≥ 0.05 μm in wet processes

Monitoring the particles in ultra pure water

Real-time monitoring



RION CO., LTD.

20-41, Higashimotomachi 3-chome, Kokubunji, Tokyo 185-8533, Japan
Telephone: +81-42-359-7878 Fax: +81-42-359-7458
URL : <http://www.rion.co.jp/> E-mail: info@rion.co.jp

Distributed by:

