

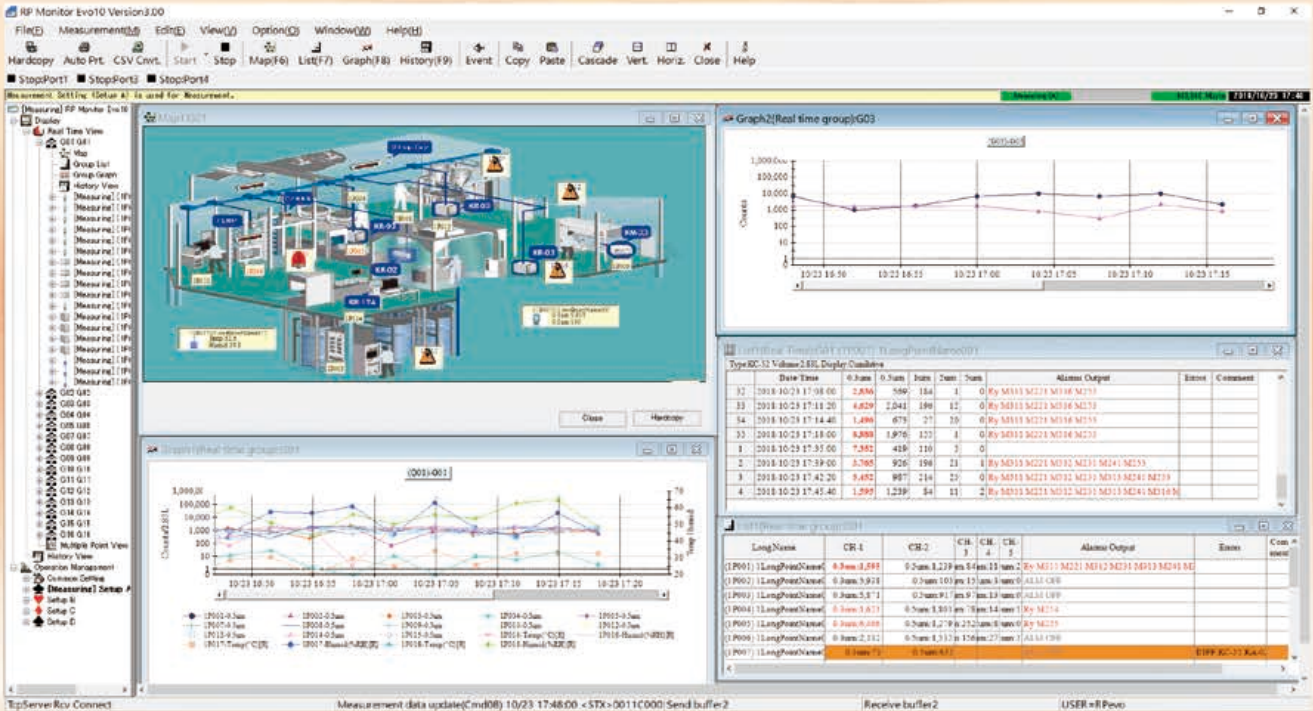


# Multi-point Monitoring Software

# RP Monitor Evo10

## K1701 Ver.2/Ver.3

- Enables control of particle counters including automatic operation, data collection, data display, filing, and printing
- Tree view is incorporated as a part of UI for easy measurement point selection, measurement parameter setting, and other operations
- Compatible with Windows 10 (64 bit)



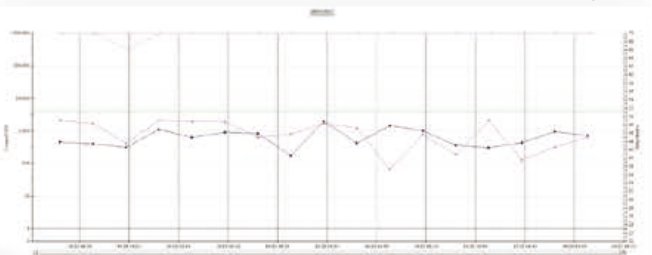
### ■ Computer validation supported

Measurement data are saved as tamper-proof binary files. Automatic output in CSV format is also possible. HASP hardware key for protection against unauthorized copying

■ Real time graphs

The screenshot shows the 'Event Window' with an 'Event List' table. The table has columns for 'Event Name', 'Date', 'Status', and 'Duration'. The data includes events such as 'Start', 'Stop', 'Measurement data update', and 'Measurement data archive'. The status column shows 'Success' or 'Error'.

■ Event window



■ List display

The screenshot shows a 'List(Real time group) G01' window displaying a table of measurement data. The table has columns for 'Long Name', 'CR-1', 'CR-2', 'CR-3', 'CR-4', 'CR-5', and 'Alarm Output'. The data includes measurements for various CR units (CR-1 to CR-5) and their corresponding alarm outputs.

■ Operation log (audit trail)

■ ID and password registration

## RP Monitor **Evo10 K1701 Ver.2** (For serial mode)

- Allows control of particle counter measurement start/stop, and light source/internal pump on/off
- Available setting parameters include measurement time, period, number of measurements, alarm, conversion etc.
- Comments can be entered (at the beginning of a measurement or in a history graph)
- Display mode selection allows real-time numeric indication on another computer, separate from the control computer

Allows control of up to 8 particle counters in serial mode, using 8 ports

### Supported models

#### Serial mode

(Control one particle counter via one serial port)

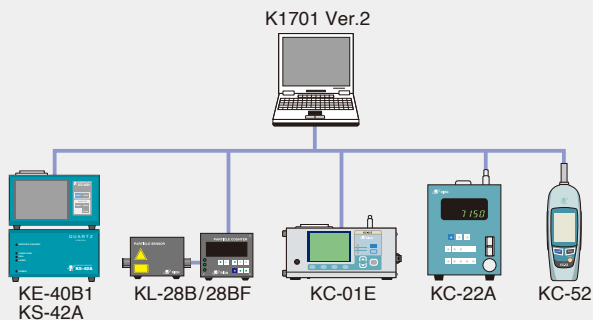
KC-01E, KC-03B, KC-20A, KC-24, KC-52, KC-31/32, KC-22A/22B, KE-40B1\*, KL-28B/28BF, KS-16/16F, KL-30A/30AX/30B

#### Read-only serial mode

(Receive data for one particle counter via one serial port)

KC-01E, KC-03B, KC-20A, KC-24, KC-52, KC-31/32, KC-22A/22B, KE-40B1\*, KL-28B/28BF, KL-30A/30AX/30B

\*Connectable sensors to KE-40B1 are supported.



### Recommended environment Workstation (WS) (for Ver. 2 and Ver. 3)

CPU	1.8 GHz or higher
RAM	4 GB or more
HDD	80 GB or more
Operating system	Microsoft Windows 10 Pro (64 bit), operation guaranteed with Japanese or English version
Other specifications	CD-ROM drive (used for installation)
	Serial interface
	USB interface (for hardware key)
COM port expansion board	Functioning as standard device [such as Contec COM-8 (PCI) 8ch]
Supplied media type	CD-ROM

\* Company names and product names mentioned in this catalog are usually trademarks or registered trademarks of their respective owners.

\* Specifications subject to change without notice.

Distributed by:

## RP Monitor **Evo10 K1701 Ver.3** (For multi-point monitoring systems)

Allows simultaneous control of up to 31 particle counters in serial mode and multi mode R (expanded connection up to 160 units)

### Supported models

#### Serial mode

Same models are supported by Ver.2.

#### Read-only serial mode

Same models are supported by Ver.2.

#### Multi mode (R)

(Using Rion particle counters, continuous repeated measurement without measurement pause intervals is possible)

KC-52, KA-02, KA-03, KA-05, KA-82, KC-31M, KL-28B/28BF (Option board required), KS-16/16F, KS-18F (K), KS-19F (K), KS-41A, KS-41B

#### Manifold mode (R)

(For models supporting a tube type multi-point manifold. Control is performed by manifold switching.)

KC-24

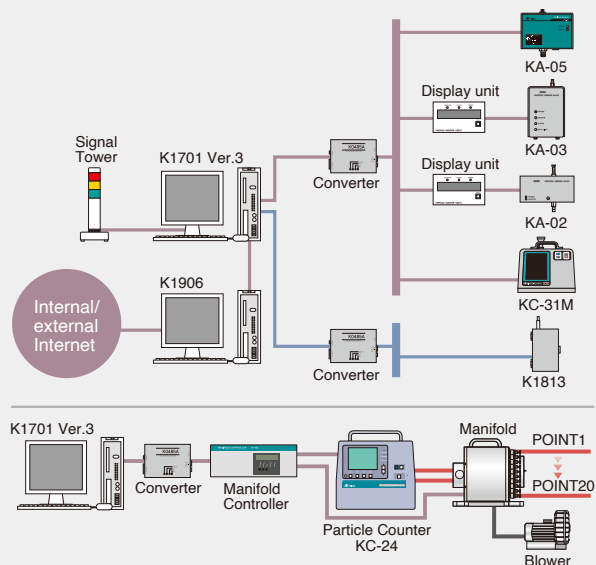
#### Aerosol mode

(Control thirty-one particle counters via ethernet port)

AES-FPM

### Peripheral equipment

Automatic alarm mail delivery system K1906, particle count and alarm status indicator K2015, digital temperature/humidity sensor K1813, signal tower



**RION CO., LTD.**  
<https://www.rion.co.jp/english/>

3-20-41, Higashimotomachi, Kokubunji,  
Tokyo 185-8533, Japan  
Tel: +81-423-59-7878, Fax: +81-423-59-7445